



Bus-Schalt-Einheit

BSE 650-0

Bus switching unit

BSE 650-0

**Unité de commutation
bus**

BSE 650-0

Unità di comando bus

BSE 650-0

Bus-schakel-eenheid

BSE 650-0

Busstyreenheden

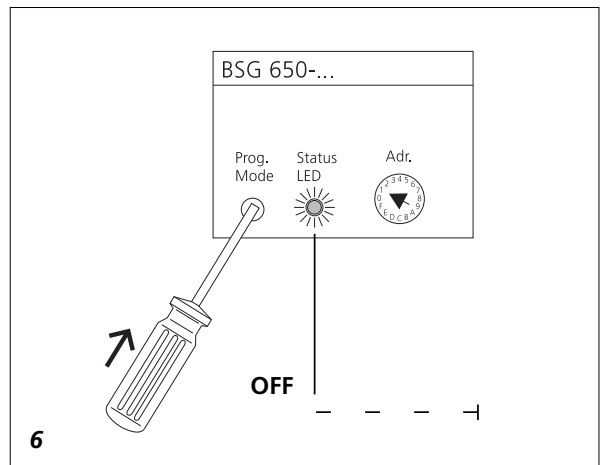
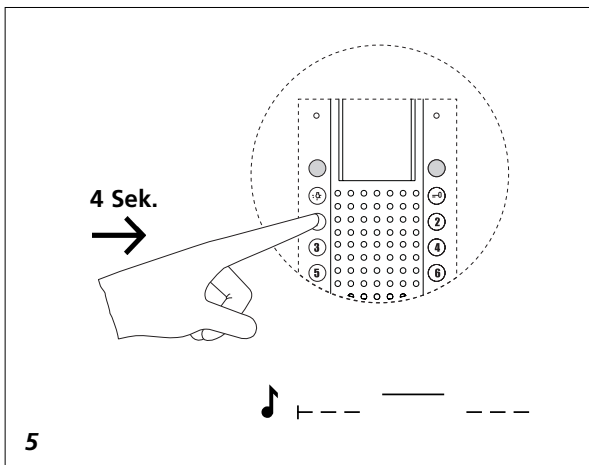
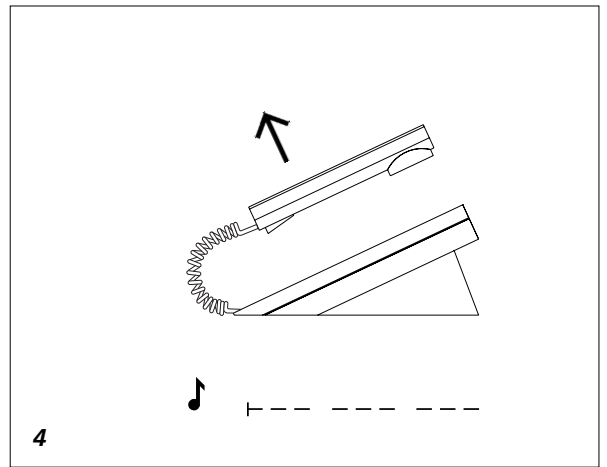
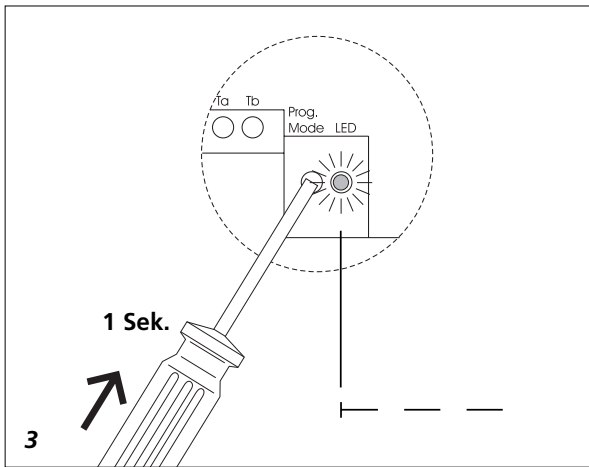
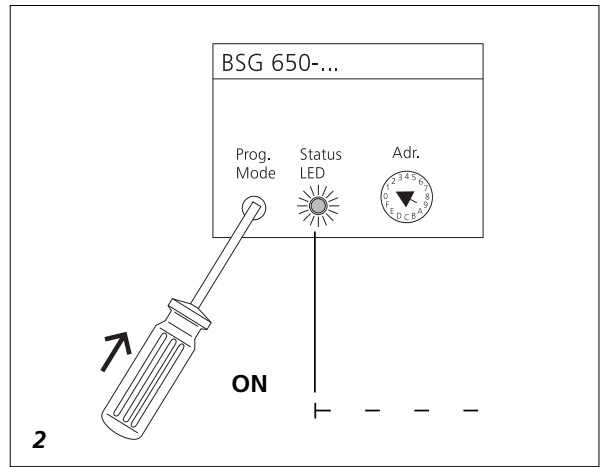
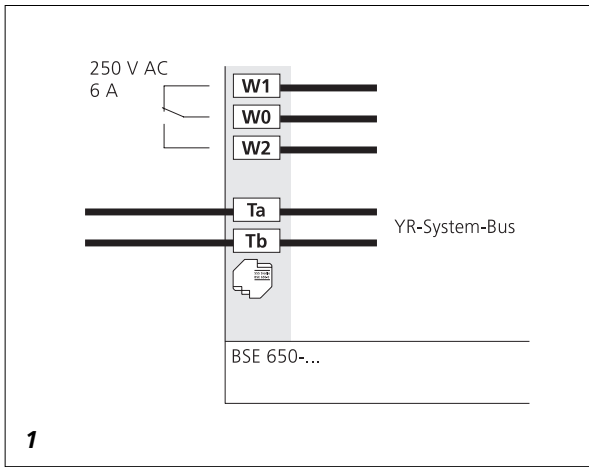
BSE 650-0

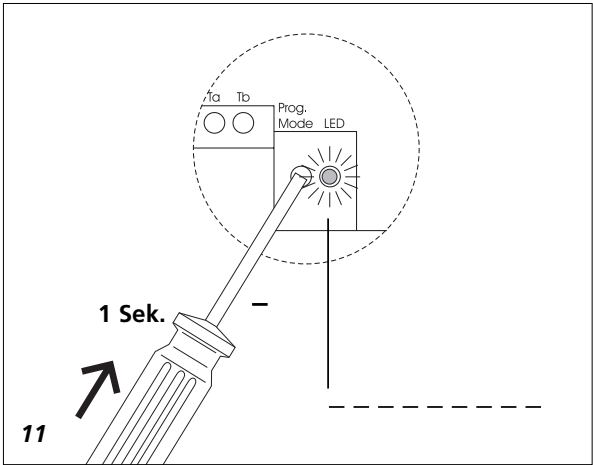
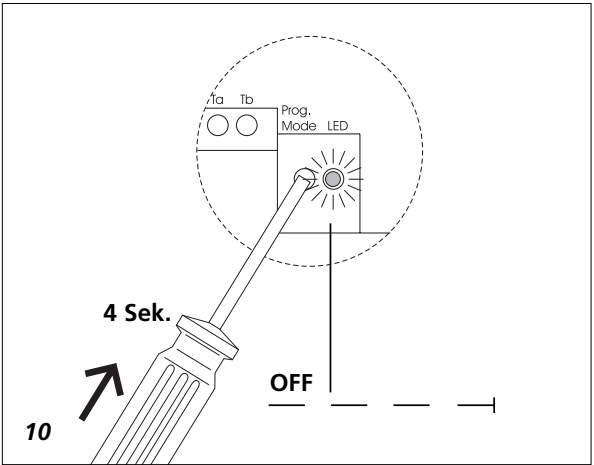
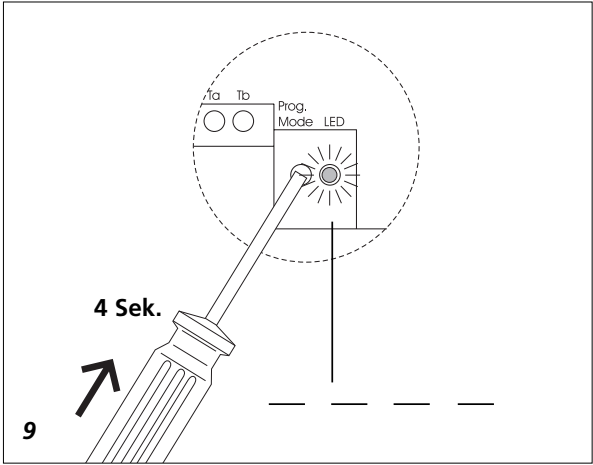
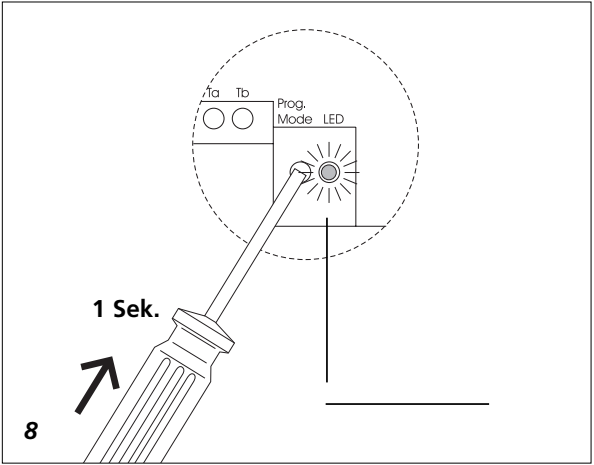
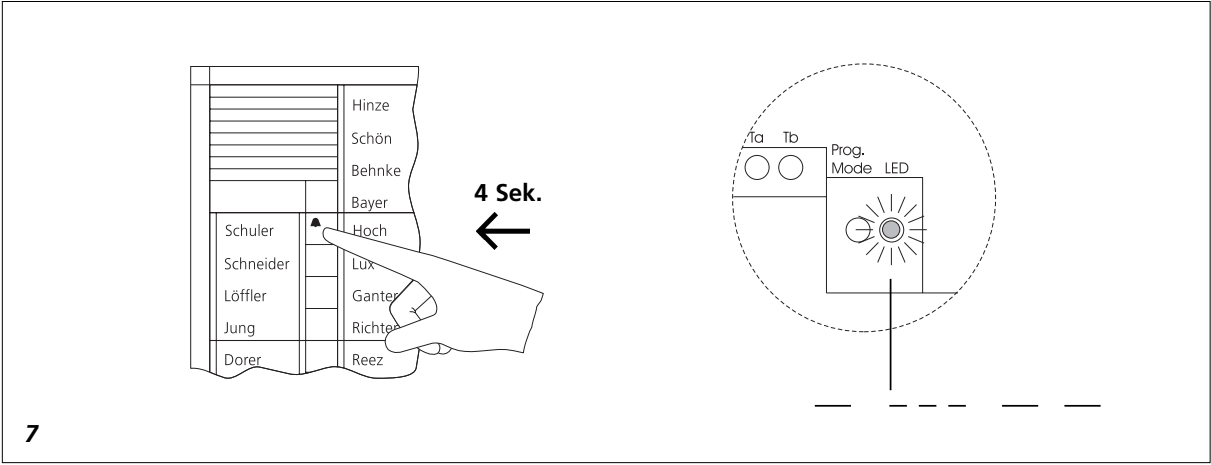
Buss-kopplings-enhet

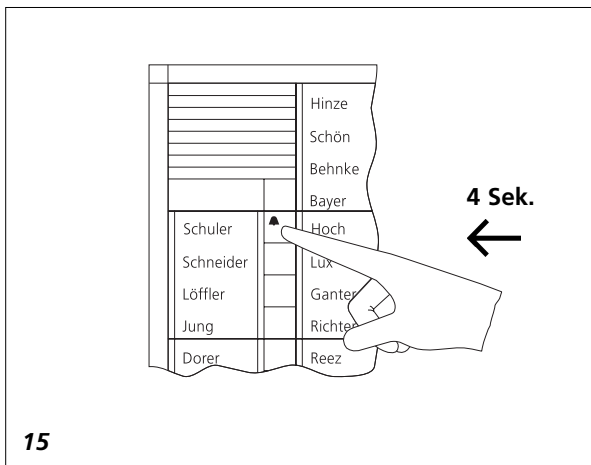
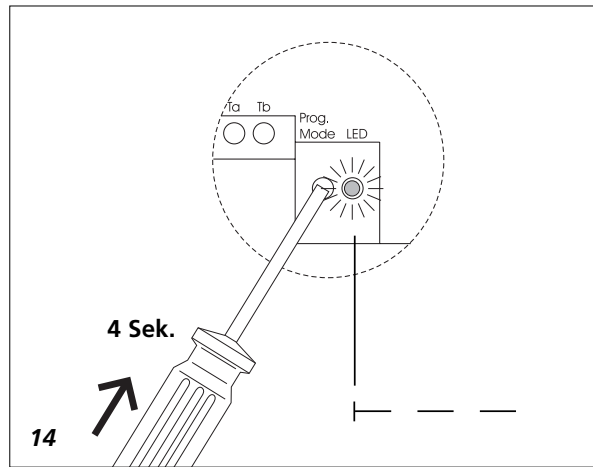
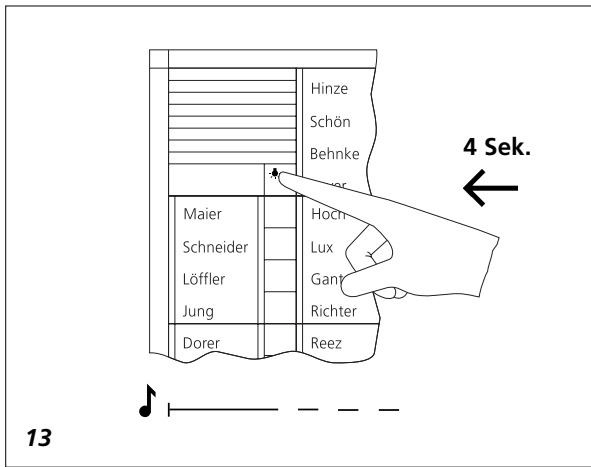
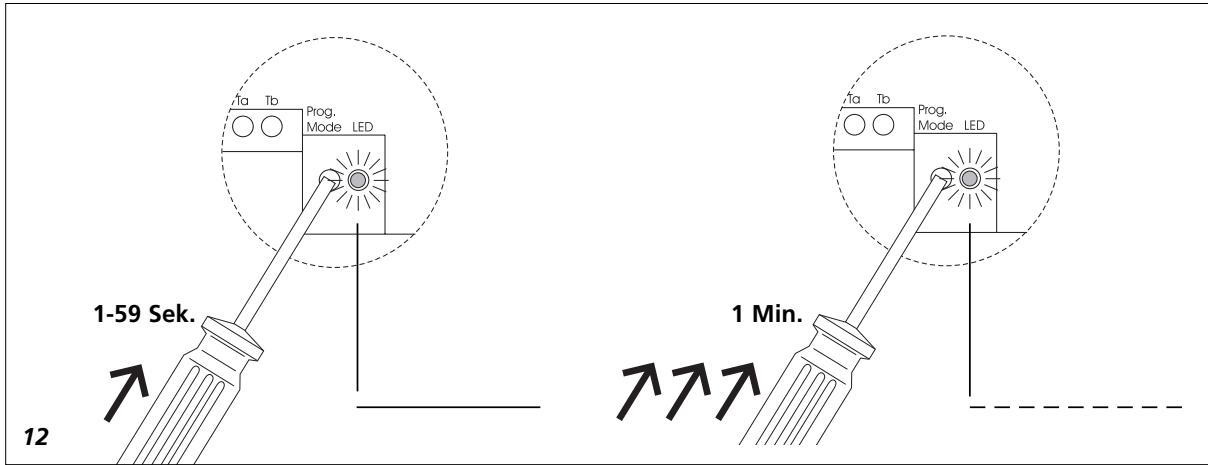
BSE 650-0

**Sběrníková spínací
jednotka**

BSE 650-0







Montage

Technische Daten

- Versorgung der Busschnittstelle erfolgt aus dem YR-System-Bus
- Kontaktbelastung max. 250 V AC, 6 A, Stromkreisabsicherung mit max. 10 A
- Kontaktbelastung min.
 - 5 V / 100 mA
 - 10 V / 10 mA
 - 24 V / 1 mA
- Zulässige Schaltleistungen:
 - Motore max. 3 A
 - Glühlampen max. 1300 W
 - Energiesparlampen: max. 18 x Sylvania 7 W oder 12 x Osram 11 W
 - Leuchtstofflampen unkompensiert $\cos \varphi$ 0,5 max. 800 VA
 - Duo-Leuchtstofflampen max. 1200 VA
 - Parallelkompensierte Leuchtstofflampen max. 400 VA
 - Eisenkerntrafos für Niedervolt-Halogenlampen max. 1000W
 - Elektronische Trafos für Niedervolt-Halogenlampen max. 1300 W
- Schutzart IP 20
- Umgebungstemperatur 0-40° C

Application

Bus switching unit BSE 650-... is designed for mounting in 55 mm dia. switchboxes. The integrated, bi-stable relay is equipped with a changeover contact for 250 V 6A and is used, for example, for actuating gates, roller blinds, lighting etc. The relay can be programmed as a timer or as a switch.

With the switch panel mounting accessory ZHSB 650-0, the BSE 650-... can also be mounted on a top-hat rail.

Operating elements

- Button for programming and function testing
- LED for status display.

Actuation

Depending on how it has been programmed, the BSE 650-... is actuated by a door call, a function key in the BTC 750-..., the touchscreen monitor MOCT 711-... or the bus input module BEM 650-...

Installation

Note

Electrical devices may only be installed and mounted by suitably qualified electrical specialists.

Conductor routing

In order to comply with the general safety regulations for telecommunication systems according to VDE 0100 and VDE 0800, and to avoid interference, ensure that the heavy and light current conductors are separately routed, observing a distance of 10 cm. See also the relevant national and local regulations.

Do not mount these devices in boiler rooms.

Safety remark

In accordance with DIN VDE 0100 Part 410, Section 411.1.3, steps must be taken to observe a secure separation between bus lines and mains voltage lines. Bus cores, mains cores and insulating sleeves must

therefore never be allowed to come into contact.

The bus line cable (safety extra-low voltage) may only be stripped back as far as necessary to allow it to be connected. In this way, the housing acts as a separating web for reliable electrical isolation of SELV/PELV from the mains voltage!

1 Terminal assignment

Remark relating to the switching output:

The integrated relay is fitted with a bi-stable switching contact. Marked vibrations during transport can result in this changing over to the switch-through status. If the mains power is connected, it is possible for there to be live voltage at the output. After switching on the BSE 650-... (connection at the YR bus), the relay is always set to the „Off status“.

Commissioning

Once the device is completely installed, commissioning/programming can take place. Switch on the mains voltage.

Functional remark

During a call, background noise caused by the data transmission may be perceptible.

Programming/initial commissioning

Programming for the system can take place at any device manually or using a PC connected to the MOCT 711-... or to the PRI 602-... and BIM 650-... . The PC programming software BPS 650-... must be separately ordered on CD. Even when PC programming, all devices must be accessible at least once more.

Manual programming

During programming, actuation and the ON time of the bus switching unit BSE 650-... are defined. Only

the buttons BTS/BTC 750-... and BTLM 650-... for actuation can be manually programmed. For programming a key and an LED as a status display and functional testing are available.

Defining control buttons for actuation of the BSE 650-... .

Important!

There is no BTLM 650-... or BTLE 050-... activated. The BSE 650-... can only be programmed when the YR system is active.

Switch BSG 650-... to the programming mode;

The status LED at the BSG 650-... flashes evenly.

Fig. 2

Switch the BSE 650-... you wish to program to the programming mode;

The status LED flashes very slowly.

Fig. 3

Pick up the receiver of the BTS/BTC 750-... at which you wish to program a button;

The call connected signal sounds.

Fig. 4

Press the button you wish to program;

An acknowledgement tone sounds in the receiver. Replace the receiver.

Fig. 5

If you wish this BSE 650-... to be actuated from several BTS/BTC 750-... units, repeat the steps described for Fig. 4 and 5 until all the telephones / BTLM units are programmed.

Switch off the programming mode at the BSG 650-... ;

Status LED is extinguished, operating status of the overall system.

Fig. 6

or process other programming points.

Defining call buttons for actuation of the BSE 650-... which actuate the BSE 650-... with the function „secondary signal controller“ in parallel to a BTS/BTC 750-... .

Important!

No BTLM 650-... or BTLE 051-... is active.

If you wish for an additional signal to be issued when actuating the call button, in parallel to the call signal at the BTS/BTC 750-..., the switching contact in the BSE 650-... can be used for actuation.

However, the call button at the door loudspeaker must already be previously assigned to the relevant BTS/BTC 750-... .

At a BSE 650-... **either** a control function **or** a parallel connected NSC function can be programmed. Double assignment is not possible.

Switch the BSG 650-... to the programming mode;

The status LED flashes evenly.

Fig. 2

Switch the BSE 650-... you wish to program to the programming mode;

The status LED flashes very slowly.

Fig. 3

Press the call button you wish to program at the door loudspeaker;

The status LED at the BSE 650-... briefly flashes faster and the door

call sounds at the parallel

BTS/BTC 750-... .

Fig. 7

Switch off the programming mode at the BSG 650-...

The status LED goes out, operating status of the overall system.

Fig. 6

or process other programming points.

Deleting the control button for actuation of the BSE 650-... .

Buttons which act on a BSE 650-... are generally individually deleted, i.e. when the BSE is in the delete mode, each button you wish to delete must be selectively accessed and deleted.

Call buttons with NSC function can only be overwritten. In order to delete a button programmed with an NSC function, this must first be overwritten with a button at the BTS/BTC750-... (control function). The key can subsequently be deleted.

Switch the BSG 650-... to the programming mode;

(if not already switched on)

The status LED flashes evenly.

Fig. 2

Switch the BSE 650-... you wish to program to the programming mode;

The status LED flashes very slowly.

Fig. 3

Switch the BSE 650-... to the delete mode;

The status LED stays alight

Fig. 8

Lift the receiver at the BTS/BTC 750-... from which you wish to delete the button;

The call connected tone sounds.

Fig. 4

Press the button you wish to delete;

You will hear an acknowledgement tone in the receiver. If you wish to delete the button in several BTS/BTC 750-... units which actuate this BSE 650-... , repeat the steps described under Fig. 4 and Fig. 5 until all telephone buttons have been deleted.

Fig. 5

Switch off the programming mode at the BSG 650-...

The status LED goes out, operating status of the overall system.

Fig. 6

Defining the bell buttons for actuation of the BSE 650-...

Important!

The BTLM 650-... or BTLE 051-... is active.

Programming the BSE 650-... is only possible if the YR system is active.

Switch the BSG 650-... to the programming mode;

The status LED flashes evenly.

Fig. 2

BTLM 650-... or BTLE 051-... activated

Fig. 13

Switch the BSE 650-... you wish to program to the programming mode;

The status LED flashes very slowly.

Fig. 14

At the door loudspeaker, press the call button which you wish to actuate the BSE 650-... ;

Fig. 15

Switch off the programming mode at the BSG 650-... ;

The status LED goes out, operating status of the overall system.

Fig. 6

or

process other programming points such as defining the switching time / switching function of the relay contact.

Deleting the bell buttons for actuation of the BSE 650-...

Switch the BSG 650-... to the programming mode;

The status LED flashes evenly.

Fig. 2

BTLM 650-... or BTLE 051-... activated

Fig. 13

At the door loudspeaker, press the call button you wish to delete

Fig. 15

Switch off the programming mode at the BSG 650-... ;

The status LED goes out, operating status of the overall system.

Fig. 6

or

process other programming points

Defining the switching time / switching function of the relay contact

Important!

If you pause for periods longer than 5 seconds, i.e. if the button at the BSE is not actuated for this period, the BSE 650-... automatically switches out of the programming mode.

The relay can be programmed for the switching function in two different ways.

Toggle mode

On/off function every time the button is actuated

(as-delivered status).

or

Time relay

When actuating the button, the relay switches for the programmed time (retriggering possible).

Toggle function

Switch the BSG 650-... to the programming mode;

(if not already switched on)

The status LED flashes evenly.

Fig. 2

Switch the BSE 650-... you wish to program to the programming mode;

The status LED flashes very slowly.

Fig. 3

Switch the BSE 650-... to the time setting mode;

The status LED flashes unevenly 3:1

Fig. 9

Set the toggle switching function at the BSE 650-... ,

save and at the same time switch off the programming mode.

The status LED goes out

Fig. 10

Switch off the programming mode at the BSG 650-...

The status LED goes out,

operating status of the overall system.

Fig. 6

or

Time relay function

Switch the BSG 650-... to the programming mode;

(if not yet switched on)

The status LED flashes evenly.

Fig. 2

Switch the BSE 650-... you wish to program to the programming mode;

The status LED flashes very slowly.

Fig. 3

Switch the BSE 650-... to the time setting mode;

The status LED flashes unevenly 3:1

Fig. 9

Set the time relay switching function at the BSE 650-... ;

The status LED flashes quickly

Fig. 11

In the „time relay switching function“ mode, a programming time limitation of 5 seconds is integrated. If the button is not actuated at the BSE within this time, the BSE 650-... switches automatically out of the

Montage

programming mode and saves the minimum time of 0.4 secs. If the key at the BSE is actuated several times, each actuation increments the time setting up to a maximum of 19 minutes.

The time of the last actuation corresponds to the number of seconds which is added to the minutes.

Example

For a time setting of 3 mins. 15 secs., actuate the Programming mode button at the BSE 4 times, releasing the button on the last actuation only after 15 secs. Maximum time setting 19 minutes, 59 seconds.

The time of the last button actuation at the BSE 650-... determines the switching time of the relay from 1 to 59 secs., before which each time the button is actuated increases the switching time by one minute up to a maximum of 19 minutes.

Fig. 12

Wait 5 seconds until the BSE 650-... has switched out of the programming mode. Each actuation of the button at the BSE 650-... will otherwise change the switching time.

Switch off the programming mode at the BSG 650-... ;

The status LED goes out, operating status of the overall system.

Fig. 6

Note!

To allow changes to be made to the programming at a later time without problems (i.e. without direct access to each individual device) the programming configuration must be saved using a PC. In addition, groups can be formed and scenarios generated by means of PC programming. The PC can be connected via the MOCT 711-... or the PRI 602-... and BIM 650-... . The PC programming software **BPS 650-...** on CD must be ordered separately.

Specifications

- The power supply to the system is provided by the YR system bus
- Contact load max. 250 V AC, 6 A, circuit fusing with max.10 A
- Contact load min.
 - 5 V / 100 mA
 - 10 V / 10 mA
 - 24 V / 1 mA
- Admissible switching outputs:
 - Motors max. 3 A
 - Light bulbs max. 1300 W
 - Energy saving lamps max. 18 x Sylvania 7 W or 12 x Osram 11 W
 - Fluorescent lamps, uncorrected cos ϕ 0.5 max. 800 VA
 - Duo-fluorescent lamps max. 1200 VA
 - Parallel corrected fluorescent lamps max. 400 VA
 - Iron-core transformers for low-voltage halogen lamps max. 1000W
 - Electronic transformers for low-voltage halogen lamps max.1300 W
- Protection system IP 20
- Ambient temperature 0-40° C

Application

L'unité de commutation bus BSE 650-... est conçue pour être montée dans des prises de Ø 55 mm. Le relais bistable incorporé est équipé d'un contact inverseur pour 250 V 6A et il sert p. ex. à commander les portails, volets roulants, éclairages, etc. Le relais peut être programmé en tant que minuterie ou en tant qu'interrupteur.

L'accessoire pour montage dans le tableau de distribution ZHSB 650-0 permet également de monter la BSE 650-... sur barre DIN.

Éléments de commande

- Touche pour la programmation et le contrôle fonctionnel
- DEL pour l'affichage de l'état.

Commande

La commande de la BSE 650-... s'effectue, en fonction de la programmation, par l'intermédiaire de l'appel de porte, d'une touche de fonction du BTC 750-..., du moniteur à écran tactile MOCT 711-..., ou par l'intermédiaire du module d'entrée bus BEM 650-...

Installation

Attention

L'installation et le montage d'appareils électriques ne doivent être réalisés que par un spécialiste en électricité.

Câblage

Pour satisfaire aux dispositions de sécurité générales relatives aux installations de télécommunication selon VDE 0100 et VDE 0800, et pour éviter les influences perturbatrices, il est nécessaire de procéder à une pose séparée des lignes à courant fort et des lignes à courant faible. Une distance de 10 cm doit être respectée. Se reporter également aux dispositions nationales correspondantes.

Ne pas monter les appareils dans la chaufferie.